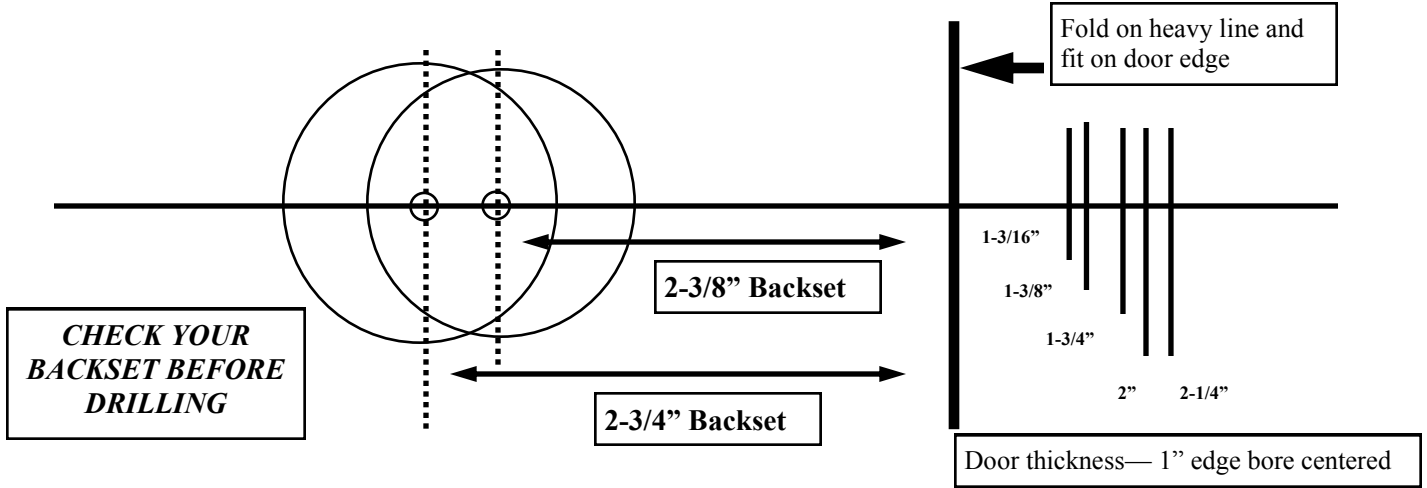
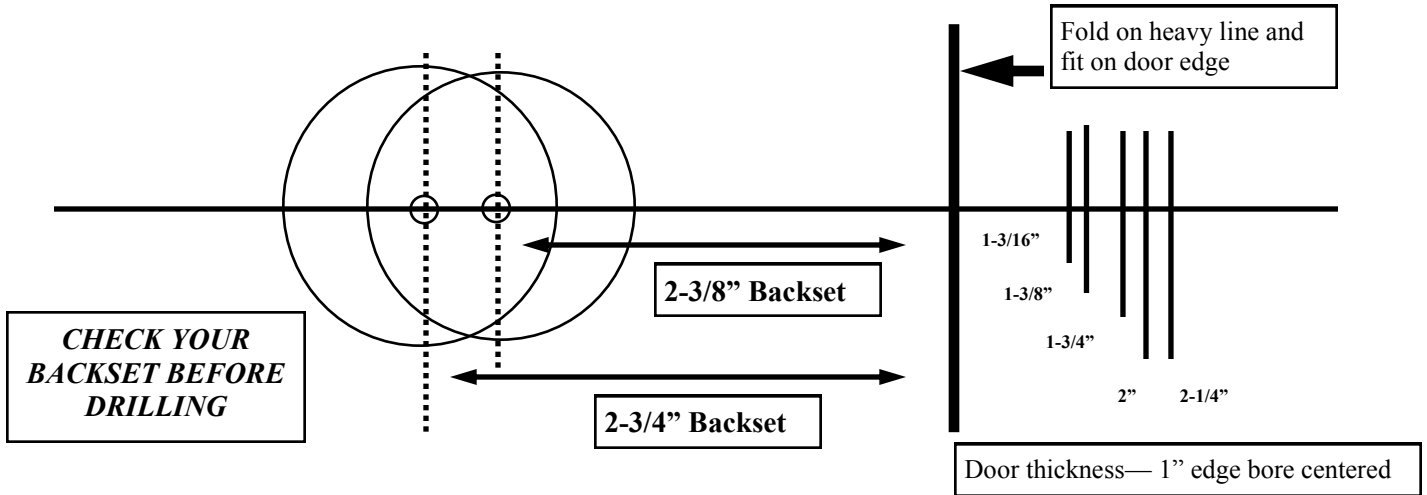


Drilling Template— Edge Bore 1”
Face Bore—IMPORTANT check individual hardware for 2-1/8” or 5/8” face bore requirement!



Drilling Template— Edge Bore 1”
Face Bore—IMPORTANT check individual hardware for 2-1/8” or 5/8” face bore requirement!



Drilling Template— Edge Bore 1”
Face Bore—IMPORTANT check individual hardware for 2-1/8” or 5/8” face bore requirement!

